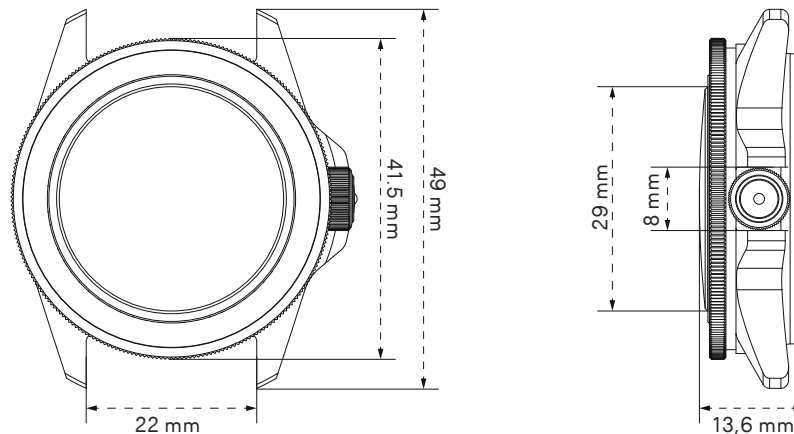


MODELLO UNO
Ref. U1-EN

Limited edition of 300 pieces
Made in Italy
2 years warranty

UNIMATIC®
UNIQUE EDITION WATCHES



PRODUCT NAME	UNIMATIC Modello Uno U1-EN
TYPE	DLC Professional diver BGW-09 Sapphire
WATER RESISTANCE	300m = 1000ft = 30atm WR
ORIGIN	Made in Italy
TESTING	Singularly tested for accuracy and water resistance
EDITION	Individually numbered, edition of 300
CASE SIZE	40mm
LUGS / STRAP SIZE	22mm
CASE MATERIAL	316 stainless steel
CASE FINISHING	DLC black on brushed finish
BEZEL	120 clicks mono-directional safety bezel
BEZEL INSERT MATERIAL	Black flat sapphire, white trims, BGW09 luminous
CASEBACK	Unimatic conversion scale screw-down caseback
CROWN	Alchemical Sun ☉ 8mm screw-down
LENS DESCRIPTION	2.5mm thick double domed sapphire
LENS TREATMENT	Inner side anti-reflective coating
DIAL BASE COLOR	Black matte high-readability maxi dial
LUMINOUS COLOR	Super-LumiNova® BGW09 white, glowing blue
DIAL TRIMS	Off-white open second rail and dial trims
DATE	Window H6
HANDS	Black ladder phantom H+M, black reverse lollipop S with off-white tip
CALIBER TYPE FREQUENCY	Automatic calibre Seiko NH35A
CALIBER FREQUENCY	21600 bph
CALIBER FEATURE	Hacking seconds hand
CALIBER WINDING	Bi-directional automatic + handwinding
CALIBER JEWELS	24
ACCURACY	-20/+40 s/day
POWER RESERVE	41h
ANTIMAGNETISM	Antimagnetic ≥ 4800 A/m
STRAP BASE	Black V-Shaped Unimatic nylon nato strap, black DLC brushed hardware signed UNIMATIC
STRAP EXTRA	Black Unimatic Silicone double-face strap, black DLC brushed hardware signed UNIMATIC
PRODUCT KIT	UNIMATIC box and outer-box, instruction manual, warranty card with unique ID seal, cloth