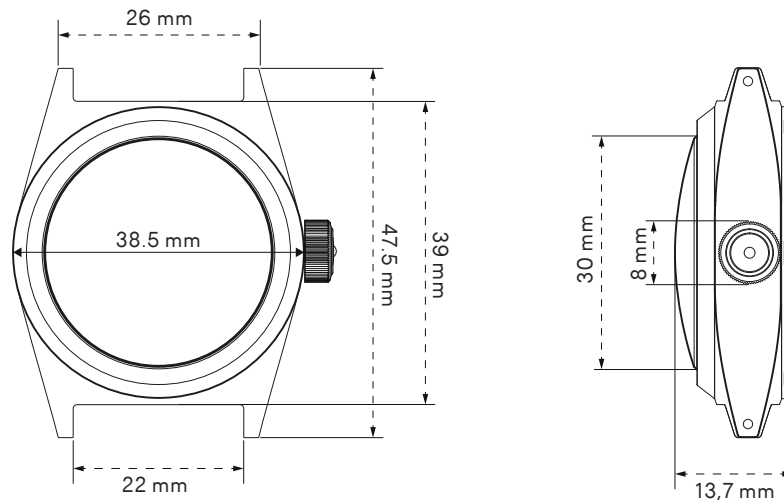


MODELLO DUE
Ref. U2-CN

Limited edition of 200 pieces
Made in Italy
2 years warranty

UNIMATIC®
UNIQUE EDITION WATCHES



| | |
|------------------|---|
| PRODUCT NAME | Unimatic Modello Due U2-CN |
| TYPE | Field watch |
| WATER RESISTANCE | 300m = 1000ft = 30atm WR |
| ORIGIN | Made in Italy |
| TESTING | Singularly tested for accuracy and water resistance |
| EDITION | Individually numbered, edition of 400 |

| | |
|-------------------|--|
| CASE SIZE | 38.5 mm |
| LUGS / STRAP SIZE | 22mm |
| CASE MATERIAL | 316 stainless steel |
| CASE FINISHING | DLC black on brushed finish |
| BEZEL | Fixed monoblock bezel |
| CASEBACK | Unimatic Angular Mil screw-down caseback |
| CROWN | Alchemical Sun ☉ 8mm screw-down |
| LENS DESCRIPTION | 2.7 mm thick ultra double domed sapphire |
| LENS TREATMENT | Inner side anti-reflective coating |
| DIAL BASE COLOR | Black matte high-readability dial |
| LUMINOUS COLOR | Old radium lume Super-LumiNova® |
| DIAL TRIMS | Gilt closed second rail |
| DATE | No date |
| HANDS | Black straight phantom H+M, black reverse lollipop S |

| | |
|------------------------|--|
| CALIBER TYPE FREQUENCY | Automatic calibre Seiko NH35A |
| CALIBER FREQUENCY | 21600 bph |
| CALIBER FEATURE | Hacking seconds hand |
| CALIBER WINDING | Bi-directional automatic + handwinding |
| CALIBER JEWELS | 24 |
| ACCURACY | -20/+40 s/day |
| POWER RESERVE | 41h |
| ANTIMAGNETISM | Antimagnetic ≥ 4800 A/m |

| | |
|-------------|--|
| STRAP BASE | Brown Unimatic Cordura two pieces strap, black DLC brushed hardware signed UNIMATIC |
| STRAP EXTRA | Black Unimatic rubber double-face strap, black DLC brushed hardware signed UNIMATIC |
| PRODUCT KIT | Unimatic box and outer-box, instruction manual, warranty card with unique ID seal, cloth |