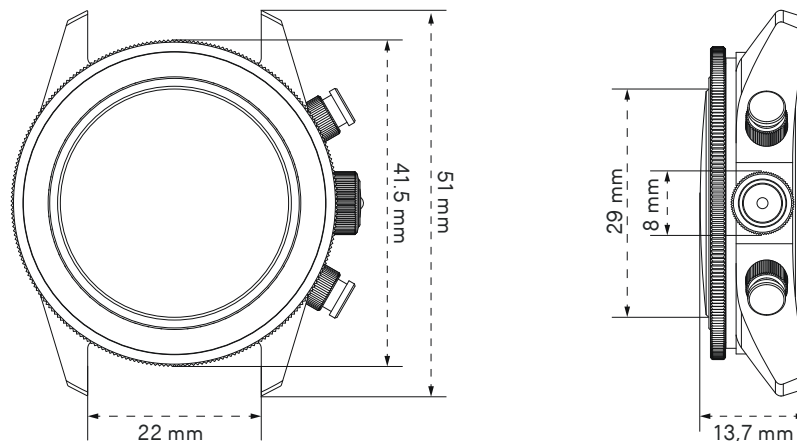


MODELLO TRE
Ref. U3-A

Limited edition of 600 pieces
Made in Italy
2 years warranty

UNIMATIC®
UNIQUE EDITION WATCHES



PRODUCT NAME	Unimatic Modello Uno U3-A
TYPE	Chrono-Diver 300m
WATER RESISTANCE	300m = 1000ft = 30atm WR
ORIGIN	Made in Italy
TESTING	Singularly tested for accuracy and water resistance
EDITION	Individually numbered, edition of 600
CASE SIZE	40mm
LUGS / STRAP SIZE	22mm
CASE MATERIAL	316 stainless steel
CASE FINISHING	Brushed finish
BEZEL	120 clicks mono-directional safety bezel
BEZEL INSERT MATERIAL	Black minimal insert with raised lume dot
CASEBACK	Unimatic world timer screwdown caseback
CROWN	Alchemical Sun ☉ 8mm screw-down
LENS DESCRIPTION	2.5mm thick double domed sapphire
LENS TREATMENT	Inner side anti-reflective coating
DIAL BASE COLOR	Vintage black matte, two sub-dials
LUMINOUS COLOR	Super-LumiNova® old radium lume
DIAL TRIMS	Gilt open second rail and dial trims
DATE	No date
HANDS	Matching ladder phantom H+M, reverse lollipop S with gilt tip
CALIBER TYPE	Meca-quartz calibre Seiko VK64
CALIBER FREQUENCY	32,768 Hz
TYPE OF OSCILLATOR	Tuning fork
BATTERY TYPE	Silver oxide battery – 1.55 V
BATTERY SIZE	Ø 9.5 x t 3.6 (mm)
ACCURACY	± 20 seconds per month
TEMPERATURE RANGE	41h
ANTIMAGNETISM	Antimagnetic ≥ 1600 A/m
STRAP BASE	Black Horween Cordovan Shell two piece strap, stainless steel brushed hardware signed UNIMATIC
STRAP EXTRA	Black V-Shaped Unimatic nylon nato strap, stainless steel brushed hardware signed UNIMATIC
PRODUCT KIT	Unimatic box and outer-box, manual leaflet, warranty card with unique ID seal, cloth