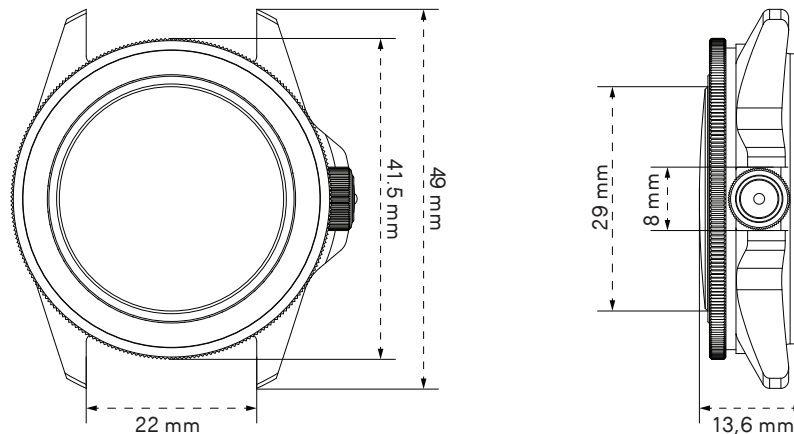


**MODELLO UNO**  
Ref. U1-MY

*Limited edition of 50 pieces*  
*Made in Italy*  
*2 years warranty*

**UNIMATIC®**  
UNIQUE EDITION WATCHES



PRODUCT NAME	Unimatic Modello Uno U1-MY
TYPE	Unimatic X Mihara Yasuhiro
WATER RESISTANCE	300m = 1000ft = 30atm WR
ORIGIN	Made in Italy
TESTING	Singularly tested for accuracy and water resistance
EDITION	Individually numbered, edition of 50
CASE SIZE	40mm
LUGS / STRAP SIZE	22mm
CASE MATERIAL	316 stainless steel
CASE FINISHING	Stonewashed Cerakote™ navy blue
BEZEL	120 clicks mono-directional safety bezel
BEZEL INSERT MATERIAL	Reflex blue aluminium minimal insert with raised lume dot
CASEBACK	Unimatic x Mihara Yasuhiro
CROWN	Alchemical Sun ☉ 8mm screw-down
LENS DESCRIPTION	2.5mm thick double domed sapphire
LENS TREATMENT	Inner side anti-reflective coating
DIAL BASE COLOR	Navy blue matte dial
LUMINOUS COLOR	Super-LumiNova® Cream Old Radium
DIAL TRIMS	Dark navy open second rail and dial trims
DATE	No date
HANDS	Navy blue ladder phantom H+M, reverse lollipop S with orange tip
CALIBER TYPE FREQUENCY	Automatic calibre Seiko NH35A
CALIBER FREQUENCY	21600 bph
CALIBER FEATURE	Hacking seconds hand
CALIBER WINDING	Bi-directional winding
CALIBER JEWELS	24
ACCURACY	-20/+40 s/day
POWER RESERVE	41h
ANTIMAGNETISM	Antimagnetic ≥ 4800 A/m
STRAP BASE	Dark navy Cordovan Shell two piece strap, stonewashed Cerakote™ navy blue buckle signed Unimatic
STRAP EXTRA	Navy blue nylon two piece strap, stonewashed Cerakote™ navy blue buckle signed Unimatic
PRODUCT KIT	Unimatic box and outer-box, instruction manual, warranty card with unique ID seal, cloth