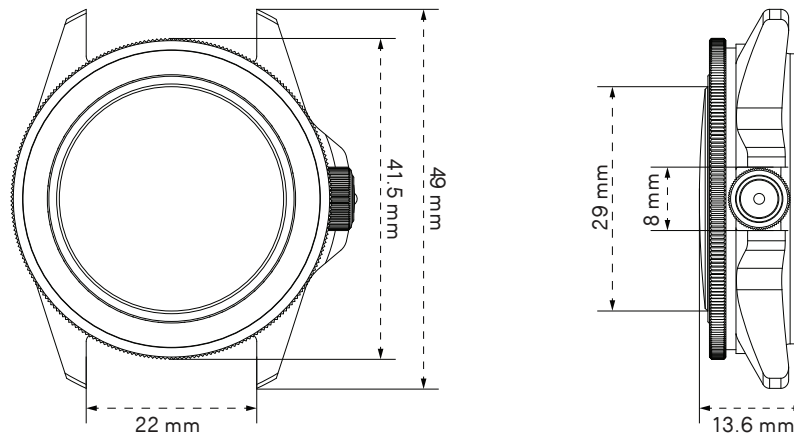


MODELLO UNO
Ref. U1-BTP

Limited edition of 100 pieces
Made in Italy
2 years warranty

UNIMATIC®
UNIQUE EDITION WATCHES



PRODUCT NAME	Unimatic Modello Uno U1-BTP
TYPE	Unimatic X Biotop
WATER RESISTANCE	300m = 1000ft = 30atm WR
ORIGIN	Made in Italy
TESTING	Singularly tested for accuracy and water resistance
EDITION	Individually numbered, edition of 100
CASE SIZE	40mm
LUGS / STRAP SIZE	22mm
CASE MATERIAL	316 stainless steel
CASE FINISHING	Brushed finish
BEZEL	Navigator 12H, 120 clicks mono-directional safety bezel
BEZEL INSERT MATERIAL	Espresso brown aluminium insert with raised lume dot
CASEBACK	Unimatic x Biotop
CROWN	Alchemical Sun ☉ 8mm screw-down
LENS DESCRIPTION	2.5mm thick double domed sapphire
LENS TREATMENT	Inner side anti-reflective coating
DIAL BASE COLOR	Black high-readability 369 dial
LUMINOUS COLOR	Super-LumiNova® Cream Old Radium
DIAL TRIMS	Gilt open second rail and dial trims
DATE	No date
HANDS	Black ladder phantom H+M, reverse lollipop S, gilt tip
CALIBER TYPE FREQUENCY	Automatic calibre Seiko NH35A
CALIBER FREQUENCY	21600 bph
CALIBER FEATURE	Hacking seconds hand
CALIBER WINDING	Bi-directional winding
CALIBER JEWELS	24
ACCURACY	-20/+40 s/day
POWER RESERVE	41h
ANTIMAGNETISM	Antimagnetic ≥ 4800 A/m
STRAP BASE	Dove brown heavy-duty Unimatic V shaped nylon nato strap, SS steel brushed hardware signed Unimatic
STRAP EXTRA	Black heavy-duty Unimatic V shaped nylon nato strap, SS steel brushed hardware signed Unimatic
PRODUCT KIT	Unimatic box and outer-box, instruction manual, warranty card with unique ID seal, cloth