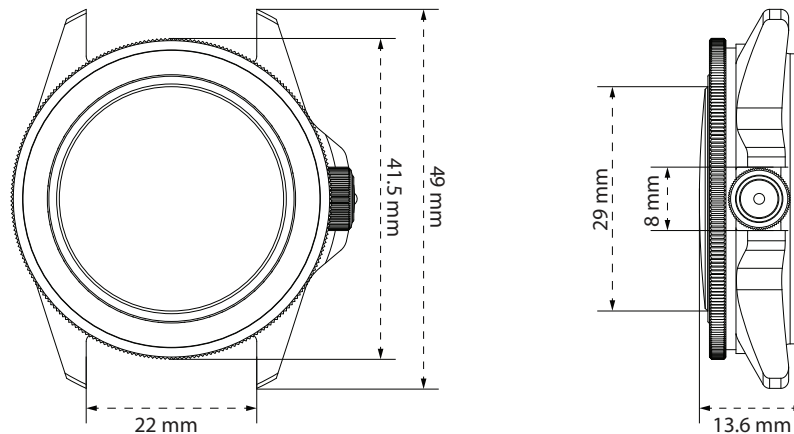


MODELLO UNO
Ref. U1-SS

Limited edition of 50 pieces
Made in Italy
2 years warranty

UNIMATIC[®]
UNIQUE EDITION WATCHES



REFERENCE	U1-SS
TYPE	Unimatic Modello x SpongeBob SquarePants
EDITION	Individually numbered, edition of 50
ORIGIN	Made in Italy
TESTING	Singularly tested for accuracy and water resistance
WATER RESISTANCE	300m = 1000ft = 30atm
SIZE	Diameter 40mm case with 41.5mm bezel
CASE THICKNESS	12.4mm
LUGS / STRAP SIZE	22mm
CASE MATERIAL	316 stainless steel
CASE FINISHING	DLC black on brushed finish
BEZEL	120 clicks mono-directional safety bezel
BEZEL INSERT	Black aluminium minimal insert with raised lume dot
CASEBACK	SpongeBob SquarePants blueprint screw-down caseback
CROWN	Alchemical Sun ☉ 8mm screw-down
LENS DESCRIPTION	2.5mm thick double domed sapphire
LENS TREATMENT	Inner side anti-reflective coating
DIAL BASE COLOR	Matte black base anthracite SpongeBob SquarePants
LUMINOUS COLOR	Super-LumiNova [®] BL black NL
DIAL TRIMS	Anthracite open second rail and dial trims
HANDS	Matte black ladder phantom H+M, reverse lollipop S with anthracite tip
CALIBER	Automatic calibre Seiko NH35A 21600bph
CALIBER FEATURES	Hacking seconds hand bi-directional automatic + handwinding
CALIBER JEWELS	24
ACCURACY	-20/+40 s/day
POWER RESERVE	41h
ANTIMAGNETISM	Antimagnetic ≥ 4800 A/m
STRAP BASE	Sponge Yellow Nylon two piece strap
STRAP EXTRA	Black heavy-duty Unimatic V shaped nylon nato strap
STRAP HARDWARE	Black DLC brushed hardware signed Unimatic
PRODUCT KIT	Unimatic box and outer-box, instruction manual, warranty card with unique ID seal, cloth