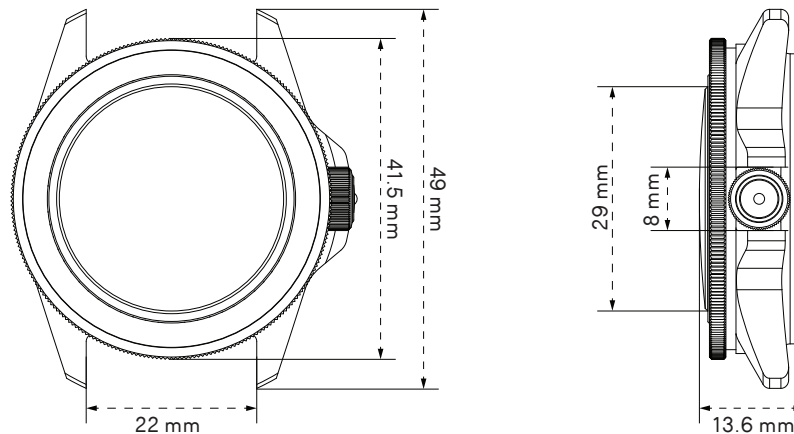


MODELLO UNO
Ref. U1-F

Limited edition of 600 pieces
Made in Italy
2 years warranty

UNIMATIC®
UNIQUE EDITION WATCHES



REFERENCE	U1-F
TYPE	Professional Diver
EDITION	Individually numbered, edition of 600
ORIGIN	Made in Italy
TESTING	Singularly tested for accuracy and water resistance
WATER RESISTANCE	300m = 1000ft = 30atm
SIZE	Diameter 40mm case with 41.5mm bezel
CASE THICKNESS	12.4mm
LUGS / STRAP SIZE	22mm
CASE MATERIAL	316 stainless steel
CASE FINISHING	Brushed finish
BEZEL	120 clicks mono-directional safety bezel
BEZEL INSERT	Black aluminium professional diver insert with raised lume dot
CASEBACK	Unimatic conversion scale screw-down caseback
CROWN	Alchemical Sun ☉ 8mm screw-down
LENS DESCRIPTION	2.5mm thick double domed sapphire
LENS TREATMENT	Inner side anti-reflective coating
DIAL BASE COLOR	Black matte dive dial
LUMINOUS COLOR	Super-LumiNova® C1 white
DIAL TRIMS	Silver closed second rail and dial trims
HANDS	Black ladder phantom H+M, reverse lollipop S, silver tip
CALIBER	Automatic calibre Seiko NH35A 21600bph
CALIBER FEATURES	Hacking seconds hand bi-directional automatic + handwinding
CALIBER JEWELS	24
ACCURACY	-20/+40 s/day
POWER RESERVE	41h
ANTIMAGNETISM	Antimagnetic ≥ 4800 A/m
STRAP BASE	Black heavy-duty Unimatic nylon nato strap
STRAP HARDWARE	Stainless steel brushed hardware signed UNIMATIC
PRODUCT KIT	Unimatic tough case, warranty card with unique ID seal