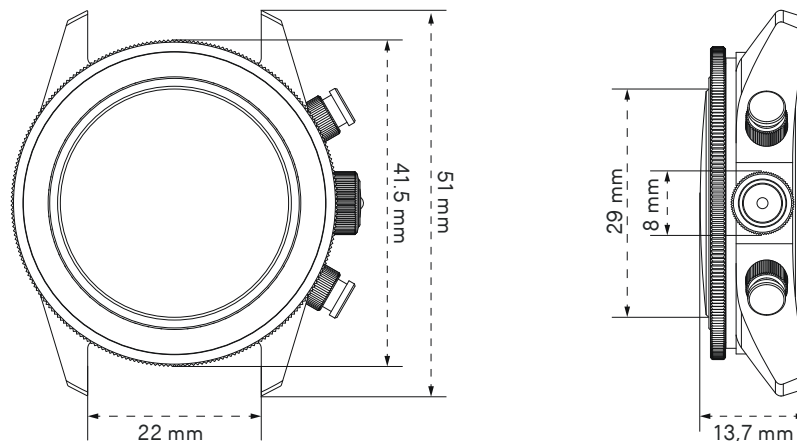


**MODELLO TRE**  
Ref. U3-FN

*Limited edition of 300 pieces*  
*Made in Italy*  
*2 years warranty*

**UNIMATIC®**  
UNIQUE EDITION WATCHES



PRODUCT NAME	U3-FN
TYPE	Chrono-Diver 300m
WATER RESISTANCE	300m = 1000ft = 30atm
ORIGIN	Made in Italy
TESTING	Singularly tested for accuracy and water resistance
EDITION	Individually numbered, edition of 300
CASE SIZE	40mm
LUGS / STRAP SIZE	22mm
CASE MATERIAL	316 stainless steel
CASE FINISHING	DLC black brushed finish
BEZEL	120 clicks mono-directional safety bezel
BEZEL INSERT MATERIAL	Black aluminium professional diver insert with raised lume dot
CASEBACK	Unimatic world timer screwdown caseback
CROWN	Alchemical Sun ☉ 8mm screw-down
LENS DESCRIPTION	2.5mm thick double domed sapphire
LENS TREATMENT	Inner side anti-reflective coating
DIAL BASE COLOR	Black matte, two sub-dial
LUMINOUS COLOR	Super-LumiNova® C1 white
DIAL TRIMS	Silver open second rail and dial trims
DATE	No date
HANDS	Black ladder phantom H+M, reverse lollipop S, white tip
CALIBER TYPE	Meca-quartz calibre Seiko VK64
CALIBER FREQUENCY	32,768 Hz
TYPE OF OSCILLATOR	Tuning fork
BATTERY TYPE	Silver oxide battery – 1.55 V
BATTERY SIZE	Ø 9.5 x t 3.6 ( mm )
ACCURACY	± 20 seconds per month
TEMPERATURE RANGE	41h
ANTIMAGNETISM	Antimagnetic ≥ 1600 A/m
STRAP BASE	Black heavy-duty Unimatic nylon nato strap, black DLC brushed hardware signed UNIMATIC
PRODUCT KIT	Unimatic tough case, warranty card with unique ID seal