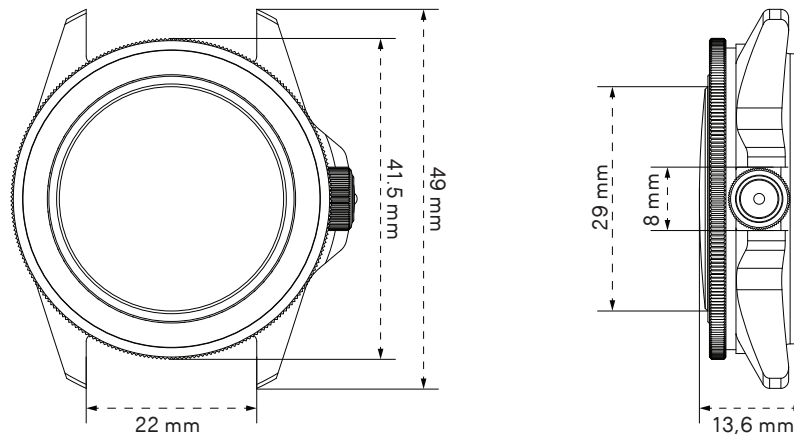


MODELLO UNO
Ref. U1-MY2

Limited edition of 100 pieces
Made in Italy
2 years warranty

UNIMATIC®
UNIQUE EDITION WATCHES



| | |
|------------------------|--|
| PRODUCT NAME | UNIMATIC Modello Uno U1-MY2 |
| TYPE | Unimatic x Mihara Yasuhiro |
| WATER RESISTANCE | 300m = 1000ft = 30atm WR |
| ORIGIN | Made in Italy |
| TESTING | Singularly tested for accuracy and water resistance |
| EDITION | Individually numbered, edition of 100 |
| CASE SIZE | 40mm |
| LUGS / STRAP SIZE | 22mm |
| CASE MATERIAL | 316 stainless steel |
| CASE FINISHING | Stonewashed Cerakote™ white |
| BEZEL | 120 clicks mono-directional safety bezel |
| BEZEL INSERT | Cerakote™ white minimal insert with raised lume dot |
| CASEBACK | Unimatic x Mihara Yasuhiro |
| CROWN | Alchemical Sun ☉ 8mm screw-down |
| LENS DESCRIPTION | 2.5mm thick double domed sapphire |
| LENS TREATMENT | Inner side anti-reflective coating |
| DIAL BASE COLOR | White matte dial |
| LUMINOUS COLOR | Super-LumiNova® C1 white |
| DIAL TRIMS | Off-white dial trims, no rail |
| DATE | No date |
| HANDS | White ladder phantom H+M, white reverse lollipop S with off-white tip |
| CALIBER TYPE FREQUENCY | Automatic calibre Seiko NH35A |
| CALIBER FREQUENCY | 21600 bph |
| CALIBER FEATURE | Hacking seconds hand |
| CALIBER WINDING | Bi-directional automatic + handwinding |
| CALIBER JEWELS | 24 |
| ACCURACY | -20/+40 s/day |
| POWER RESERVE | 41h |
| ANTIMAGNETISM | Antimagnetic ≥ 4800 A/m |
| STRAP BASE | White calf leather two piece strap, stonewashed Cerakote™ white buckle signed Unimatic |
| STRAP EXTRA | White nylon two piece strap, stonewashed Cerakote™ white buckle signed Unimatic |
| PRODUCT KIT | Unimatic tough case, warranty card with unique ID seal |