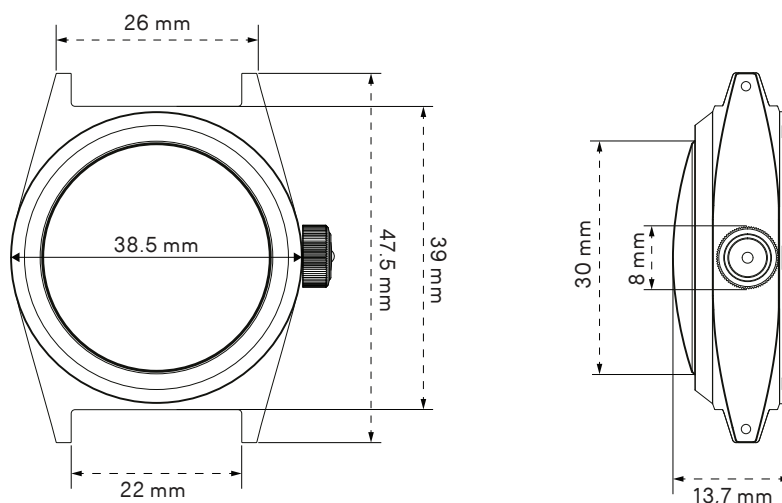


MODELLO DUE
Ref. U2-FN

Limited edition of 250 pieces
Made in Italy
2 years warranty

UNIMATIC[®]
UNIQUE EDITION WATCHES



PRODUCT NAME	Unimatic Modello Due U2-FN
TYPE	Field watch
WATER RESISTANCE	300m = 1000ft = 30atm WR
ORIGIN	Made in Italy
TESTING	Singularly tested for accuracy and water resistance
EDITION	Individually numbered, edition of 250
CASE SIZE	38.5 mm
LUGS / STRAP SIZE	22mm
CASE MATERIAL	316 stainless steel
CASE FINISHING	DLC black on brushed finish
BEZEL	Fixed monoblock bezel
CASEBACK	Unimatic Angular Mil screw-down caseback
CROWN	Alchemical Sun ☉ 8mm screw-down
LENS DESCRIPTION	2.7 mm thick ultra double domed sapphire
LENS TREATMENT	Inner side anti-reflective coating
DIAL BASE COLOR	RAF grey high-readability dial
LUMINOUS COLOR	Super-LumiNova® C1 white
DIAL TRIMS	Silver closed second rail and trims
DATE	No date
HANDS	RAF grey straight phantom H+M, RAF grey reverse lollipop S, off-white tip
CALIBER TYPE FREQUENCY	Automatic calibre Seiko NH35A
CALIBER FREQUENCY	21600 bph
CALIBER FEATURE	Hacking seconds hand
CALIBER WINDING	Bi-directional automatic + handwinding
CALIBER JEWELS	24
ACCURACY	-20/+40 s/day
POWER RESERVE	41h
ANTIMAGNETISM	Antimagnetic ≥ 4800 A/m
STRAP BASE	Black Unimatic nylon two pieces strap, black DLC brushed hardware signed UNIMATIC
PRODUCT KIT	Unimatic tough case, warranty card with unique ID seal