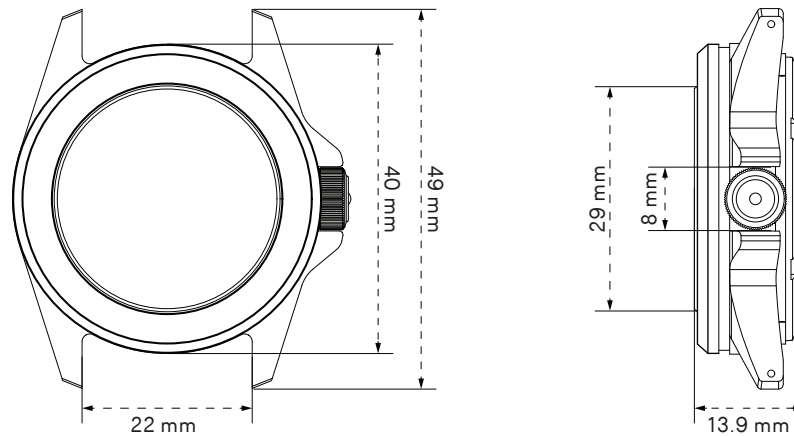


**MODELLO
QUATTRO**
Ref. U4-A

Made in Italy
2 Years warranty

UNIMATIC®



REFERENCE	U4-A
TYPE	Military Watch
ORIGIN	Made in Italy
TESTING	Singularly tested for accuracy and water resistance
WATER RESISTANCE	300m = 1000ft = 30atm
SIZE	Diameter 40mm
CASE THICKNESS	13.8mm
LUGS / STRAP SIZE	Drilled lugs / 22mm
CASE MATERIAL	316 stainless steel
CASE FINISHING	Brushed finish
BEZEL	Fixed monoblock bezel
CASEBACK	Unimatic "Ground-to-Air Signals" screw-down caseback
CROWN	Alchemical Sun ☉ 8mm screw-down
LENS DESCRIPTION	2.8mm thick flat sapphire
LENS TREATMENT	Inner side anti-reflective coating
DIAL BASE COLOR	Vintage black dial
LUMINOUS COLOR	Super-LumiNova® C3 pale green
DIAL TRIMS	Off-white open second rail and dial trims
HANDS	Vintage black ladder phantom H+M, reverse lollipop S, off-white tip
CALIBER	Automatic caliber Seiko NH35A 21600bph
CALIBER FEATURES	Hacking seconds hand bi-directional automatic + handwinding
CALIBER JEWELS	24
ACCURACY	-20/+40 s/day
POWER RESERVE	41h
ANTIMAGNETISM	Antimagnetic ≥ 4800 A/m
STRAP BASE	Olive drab heavy-duty Unimatic nylon nato strap
STRAP HARDWARE	Stainless steel brushed hardware signed UNIMATIC
PRODUCT KIT	Unimatic tough case, warranty card with unique ID seal