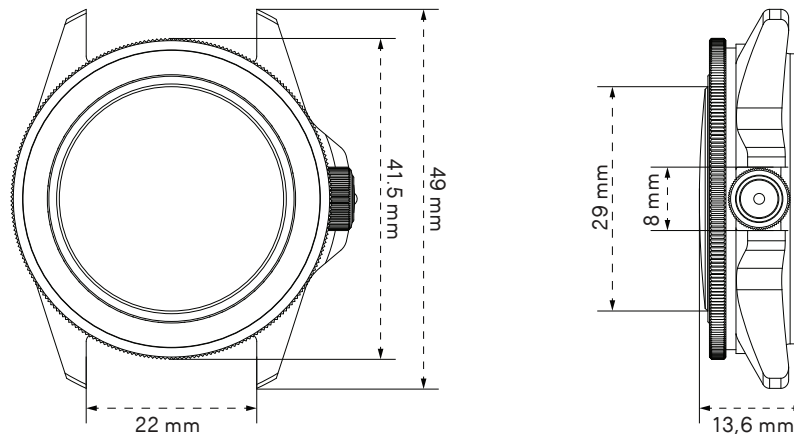


MODELLO UNO
Ref. U1-SS2

Limited edition of 100 pieces
Made in Italy
2 years warranty

UNIMATIC®
UNIQUE EDITION WATCHES



PRODUCT NAME	UNIMATIC Modello Uno U1-SS2
TYPE	Unimatic x SpongeBob SquarePants
WATER RESISTANCE	300m = 1000ft = 30atm WR
ORIGIN	Made in Italy
TESTING	Singularly tested for accuracy and water resistance
EDITION	Individually numbered, edition of 100
CASE SIZE	40mm
LUGS / STRAP SIZE	22mm
CASE MATERIAL	316 stainless steel
CASE FINISHING	Brushed finish
BEZEL	120 clicks mono-directional safety bezel
BEZEL INSERT	Yellow anodized aluminium minimal insert with raised lume dot
CASEBACK	Unimatic x SpongeBob SquarePants
CROWN	Alchemical Sun ☉ 8mm screw-down
LENS DESCRIPTION	2.5mm thick double domed sapphire
LENS TREATMENT	Inner side anti-reflective coating
DIAL BASE COLOR	Yellow matte base dial with multicolor whimsical depiction of SpongeBob SquarePants
LUMINOUS COLOR	Super-LumiNova® C1 white
DIAL TRIMS	Black closed second rail and off-white dial trims
DATE	No date
HANDS	Yellow ladder phantom H+M, reverse lollipop S with "Original Sock" white/blue/red tip
CALIBER TYPE FREQUENCY	Automatic calibre Seiko NH35A
CALIBER FREQUENCY	21600 bph
CALIBER FEATURE	Hacking seconds hand
CALIBER WINDING	Bi-directional automatic + handwinding
CALIBER JEWELS	24
ACCURACY	-20/+40 s/day
POWER RESERVE	41h
ANTIMAGNETISM	Antimagnetic ≥ 4800 A/m
STRAP BASE	White and yellow calf leather two piece strap, stainless steel brushed hardware signed Unimatic
STRAP EXTRA	Yellow nylon two piece strap, stainless steel brushed hardware signed Unimatic
PRODUCT KIT	Unimatic tough case, warranty card with unique ID seal