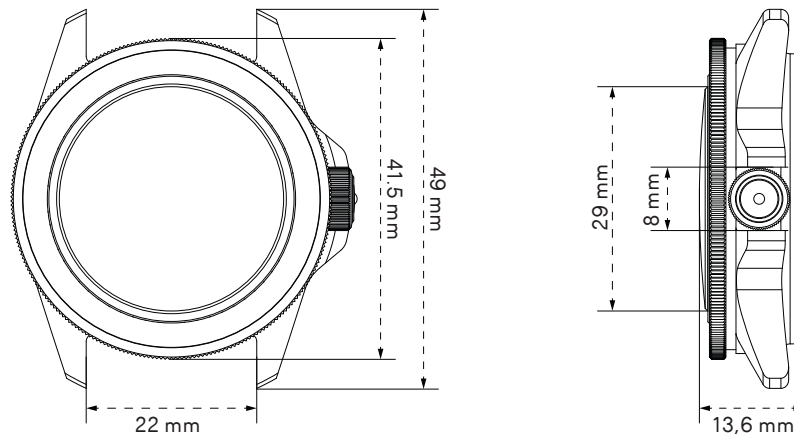


MODELLO UNO
Ref. U1-U

Limited edition of 250 pieces
Made in Italy
2 years warranty

UNIMATIC®
UNIQUE EDITION WATCHES



PRODUCT NAME	UNIMATIC Modello Uno U1-U
TYPE	Unimatic x Undefeated
WATER RESISTANCE	300m = 1000ft = 30atm WR
ORIGIN	Made in Italy
TESTING	Singularly tested for accuracy and water resistance
EDITION	Individually numbered, edition of 250
CASE SIZE	40mm
LUGS / STRAP SIZE	22mm
CASE MATERIAL	316 stainless steel
CASE FINISHING	Brushed finish
BEZEL	120 clicks mono-directional safety bezel
BEZEL INSERT	Black aluminium professional diver insert with raised lume dot
CASEBACK	Unimatic x Undefeated screw-down caseback
CROWN	Alchemical Sun ☉ 8mm screw-down
LENS DESCRIPTION	2.5mm thick double domed sapphire
LENS TREATMENT	Inner side anti-reflective coating
DIAL BASE COLOR	Black matte dive dial with off-white "five strike" Undefeated logo
LUMINOUS COLOR	Super-LumiNova® C1 white
DIAL TRIMS	Off-white closed second rail and dial trims
DATE	Window H6
HANDS	Black ladder phantom H+M, black reverse lollipop S with off-white tip
CALIBER TYPE FREQUENCY	Automatic calibre Seiko NH35A
CALIBER FREQUENCY	21600 bph
CALIBER FEATURE	Hacking seconds hand
CALIBER WINDING	Bi-directional automatic + handwinding
CALIBER JEWELS	24
ACCURACY	-20/+40 s/day
POWER RESERVE	41h
ANTIMAGNETISM	Antimagnetic ≥ 4800 A/m
STRAP BASE	Camouflage polyester nato strap, sandblasted steel hardware signed UNIMATIC
STRAP EXTRA	Olive Unimatic nylon two piece strap, sandblasted steel hardware signed UNIMATIC
PRODUCT KIT	Unimatic tough case, warranty card with unique ID seal