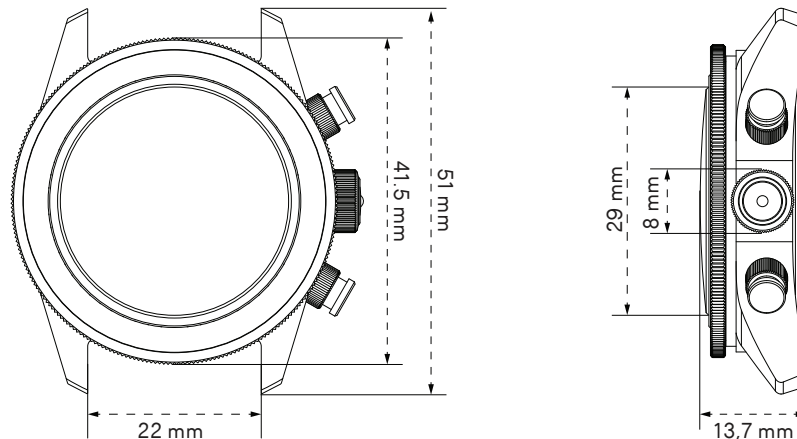


**MODELLO TRE**  
Ref. U3-AS

*Limited edition of 200 pieces*  
*Made in Italy*  
*2 years warranty*

**UNIMATIC®**  
UNIQUE EDITION WATCHES



PRODUCT NAME	Unimatic Modello Tre U3-AS
TYPE	Chrono-Diver 300m
WATER RESISTANCE	300m = 1000ft = 30atm WR
ORIGIN	Made in Italy
TESTING	Singularly tested for accuracy and water resistance
EDITION	Individually numbered, edition of 200
CASE SIZE	40mm
LUGS / STRAP SIZE	22mm
CASE MATERIAL	316 stainless steel
CASE FINISHING	Brushed finish
BEZEL	120 clicks mono-directional safety bezel
BEZEL INSERT	Black anodized aluminium tachymeter insert, cream trims
CASEBACK	Unimatic Apollo-Soyuz 1975 screwdown caseback
CROWN	Alchemical Sun ☉ 8mm screw-down
LENS DESCRIPTION	2.5mm thick double domed sapphire
LENS TREATMENT	Inner side anti-reflective coating
DIAL BASE COLOR	Black matte, two sub-dial with Apollo-Soyuz logo
LUMINOUS COLOR	Super-LumiNova® Old Radium
DIAL TRIMS	Gold open second rail and dial trims
DATE	No date
HANDS	Matching ladder phantom H+M, reverse lollipop S with Old Radium tip
CALIBER TYPE	Meca-quartz calibre Seiko VK64
CALIBER FREQUENCY	32,768 Hz
TYPE OF OSCILLATOR	Tuning fork
BATTERY TYPE	Silver oxide battery – 1.55 V
BATTERY SIZE	ψ9.5 x t 3.6 ( mm )
ACCURACY	± 20 seconds per month
TEMPERATURE RANGE	41h
ANTIMAGNETISM	Antimagnetic ≥ 1600 A/m
STRAP BASE	Galaxy blue cordura two piece strap, stainless steel brushed hardware signed Unimatic
STRAP EXTRA	Black laser etched buccaneer leather two piece strap, stainless steel brushed hardware signed Unimatic
PRODUCT KIT	Individually numbered original G.Balashova print, Unimatic tough case, warranty card with unique ID seal