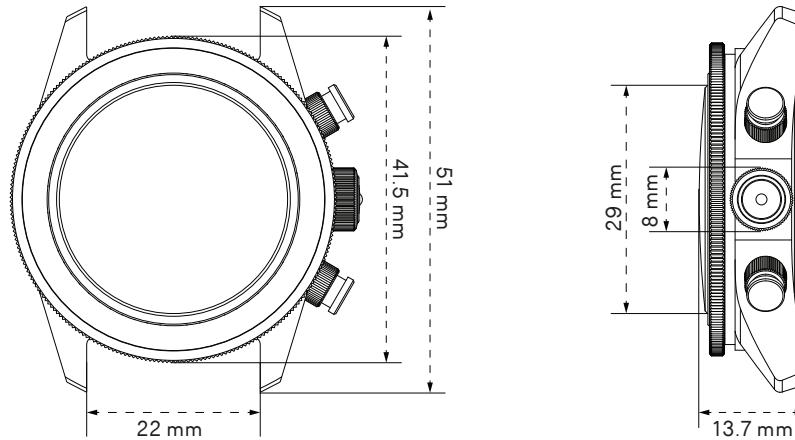


TRE CLASSIC
Ref. UC3

Made in Italy
2 years warranty

UNIMATIC®



REFERENCE	Unimatic Modello Tre Classic
TYPE	Unimatic Classic Chrono watch
ORIGIN	Made in Italy
TESTING	Singularly tested for accuracy and water resistance
WATER RESISTANCE	300m = 1000ft = 30atm
SIZE	40mm
CASE THICKNESS	13.7mm
LUGS / STRAP SIZE	22mm
CASE MATERIAL	316 stainless steel
CASE FINISHING	Brushed finish
BEZEL	120 clicks mono-directional safety bezel
BEZEL INSERT	Black anodized aluminium
CASEBACK	Unimatic "Rosa dei venti" caseback
CROWN	Alchemical Sun ☉ 8mm screw-down
LENS DESCRIPTION	2.5mm thick double domed sapphire
LENS TREATMENT	Inner side anti-reflective coating
DIAL BASE COLOR	Black matte dial, two sub-dial
LUMINOUS COLOR	Super-LumiNova® C3 pale green
DIAL TRIMS	Off-white closed open second rail and dial trims
DATE	No date
HANDS	Black matte ladder phantom H+M, reverse lollipop S with off-white tip
CALIBER TYPE	Meca-quartz calibre Seiko VK64
CALIBER FREQUENCY	32,768 Hz
TYPE OF OSCILLATOR	Tuning fork
BATTERY TYPE	Silver oxide battery – 1.55 V
BATTERY SIZE	ψ9.5 x t 3.6 (mm)
ACCURACY	± 20 seconds per month
TEMPERATURE RANGE	41h
ANTIMAGNETISM	Antimagnetic ≥ 1600 A/m
STRAP BASE	Black heavy duty Unimatic nylon nato strap
STRAP HARDWARE	Stainless steel brushed hardware signed UNIMATIC
PRODUCT KIT	Unimatic tough case, warranty card with unique ID seal