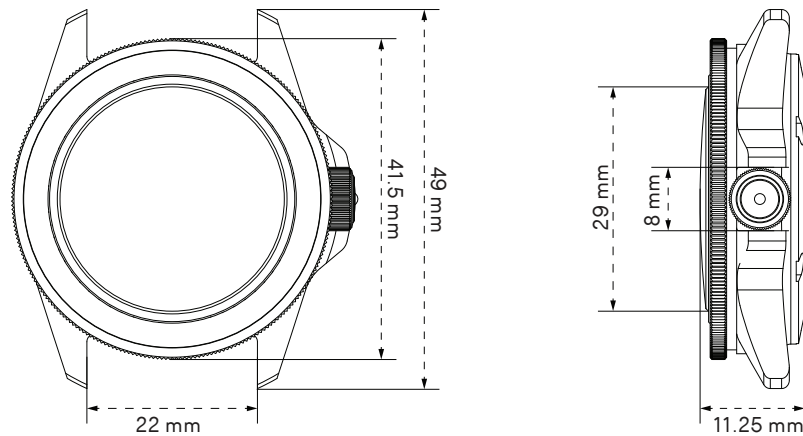


MODELLO UNO
Ref. U1-H

Limited edition of 500 pieces
Made in Italy
2 years warranty

UNIMATIC®
UNIQUE EDITION WATCHES



PRODUCT NAME	Modello Uno U1-H
TYPE	Unimatic x Hodinkee
WATER RESISTANCE	300m = 1000ft = 30atm WR
ORIGIN	Made in Italy
TESTING	Singularly tested for accuracy and water resistance
EDITION	Individually numbered, edition of 500
CASE SIZE	40mm
LUGS / STRAP SIZE	22mm
CASE MATERIAL	316 stainless steel
CASE FINISHING	Brushed finish
BEZEL	120 clicks mono-directional safety bezel
BEZEL INSERT	Charcoal gray aluminium professional diver insert with raised lume dot
CASEBACK	Unimatic x Hodinkee caseback
CROWN	Alchemical Sun © 8mm screw-down
LENS DESCRIPTION	2.5mm thick double domed sapphire
LENS TREATMENT	Inner side anti-reflective coating
DIAL BASE COLOR	Hodinkee gray dial
LUMINOUS COLOR	Super-LumiNova® C1 white
DIAL TRIMS	Charcoal gray open second rail and dial trims
DATE	No date
HANDS	Hodinkee gray ladder phantom H+M, reverse lollipop S, charcoal gray tip
CALIBER TYPE FREQUENCY	Automatic calibre Sellita SW200-1
CALIBER FREQUENCY	28800bph
CALIBER FEATURE	Hacking seconds hand
CALIBER WINDING	Bi-directional automatic + handwinding
CALIBER JEWELS	26
ACCURACY	+/- 12 sec/day up to +/-30 sec/day
POWER RESERVE	38h
ANTIMAGNETISM	Antimagnetic ≥ 4800 A/m
STRAP BASE	Black TPU two piece strap, stainless steel brushed hardware signed Unimatic
EXTRA STRAP	Black single pass nato strap, stainless steel brushed hardware signed Unimatic
PRODUCT KIT	Unimatic tough case, warranty card with unique ID seal